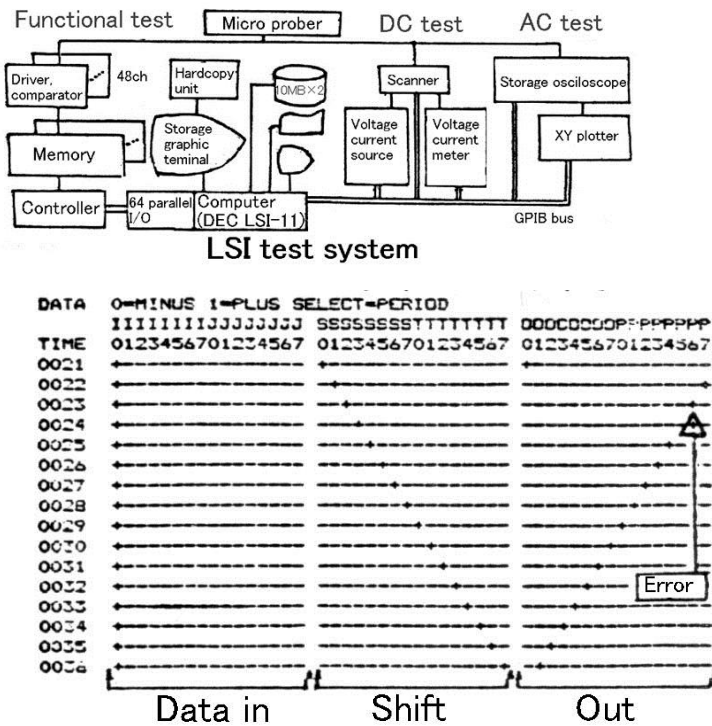
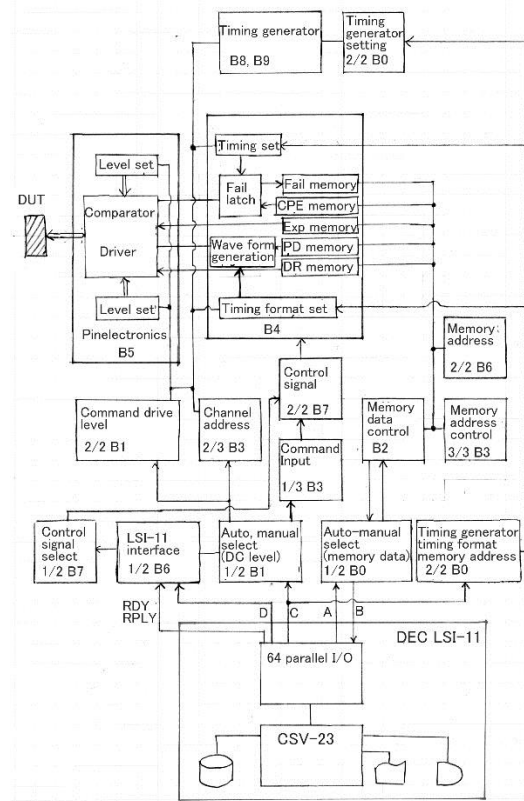


# [5] LSI tester

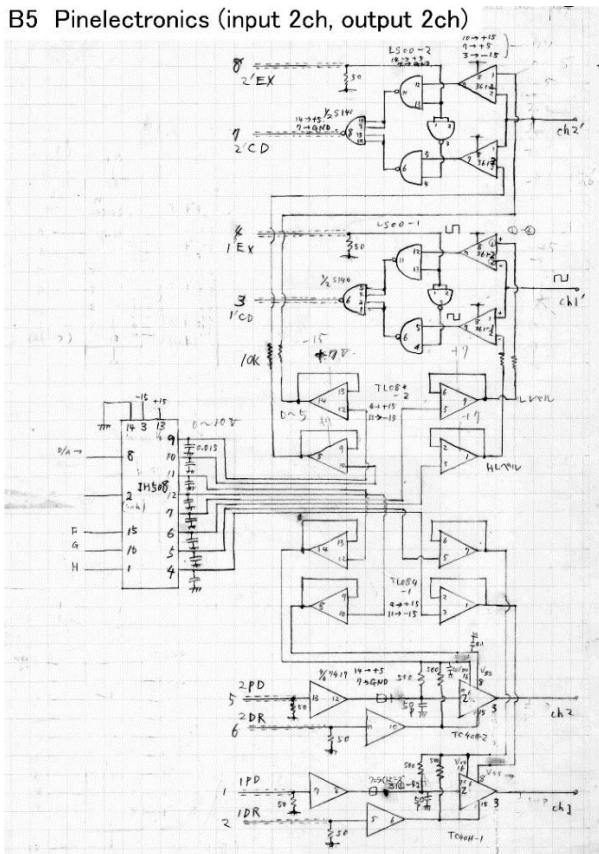


An example of test result of barrel shifter

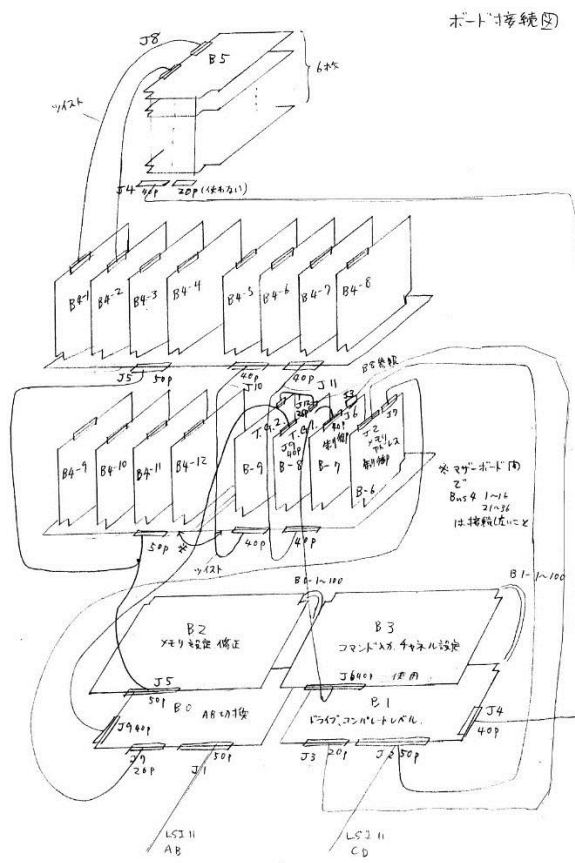


Block diagram of made-in-house LSI tester

## B5 Pinelectronics (input 2ch, output 2ch)



Pin electronics (electrical connection to LSI pad)



Connection between boards